

## 3 Gallon Low Profile Iced Tea Brewer with Portable Server

### Features

#### Iced Tea Brewer

- Brews 16.3 to 26.7 gallons (61.7 to 101.1 liters) per hour from real tea leaves.
- Brews directly into included TDO-3.5 gallon dispenser with brew-through lid.
- Sleek, compact, low-profile styling to accommodate a variety of spaces.
- Quickbrew (Q) models available for shorter brewing cycles.
- SplashGard® funnel deflects hot liquids away from the hand.



#### Model TB3QLP with TDO-3.5 Dispenser

Dimensions: 28.75" H x 11.57" W x 21.87"D  
(73cm H x 29.38cm W x 55.55cm D)

For current specification sheets and other information, go to [www.bunn.com](http://www.bunn.com).

### Related Products

#### Easy Clear® ED-12-HB

Product No. : 34141.0000

Dimensions:

23<sup>3</sup>/<sub>8</sub>" H x 6" W x 7<sup>3</sup>/<sub>8</sub>" D

59.4 cm H x 15.2 cm W x 18.7 cm D



#### Easy Clear® ED-HB-2

20" Replacement Cartridge

Product No. : 34134.0000

#### Single/Dual Filter Pack

Product No. : 20100.0000

Packed per case: 500

Dimensions: 5<sup>1</sup>/<sub>4</sub>" Base x 3<sup>3</sup>/<sub>4</sub>" Sidewall

13.34 cm Base x 9.52 cm Sidewall



#### TDO-3.5 – Tea Dispenser

Product No. : 37100.0000

Capacity: 3.5 gallons

Weight: 10 lbs. (4.5 kg)



#### Translucent Pouchpack Tea Funnel

Quick dispense, TB-3Q

Product No. : 35282.0001

Standard dispense, TB-3

Product No. : 35282.0002



#### Remote Stand

Product No. : 37675.0000



Model	Agency Listing	International Model	Agency Listing
TB3QLP	UL NSE	No International Model	

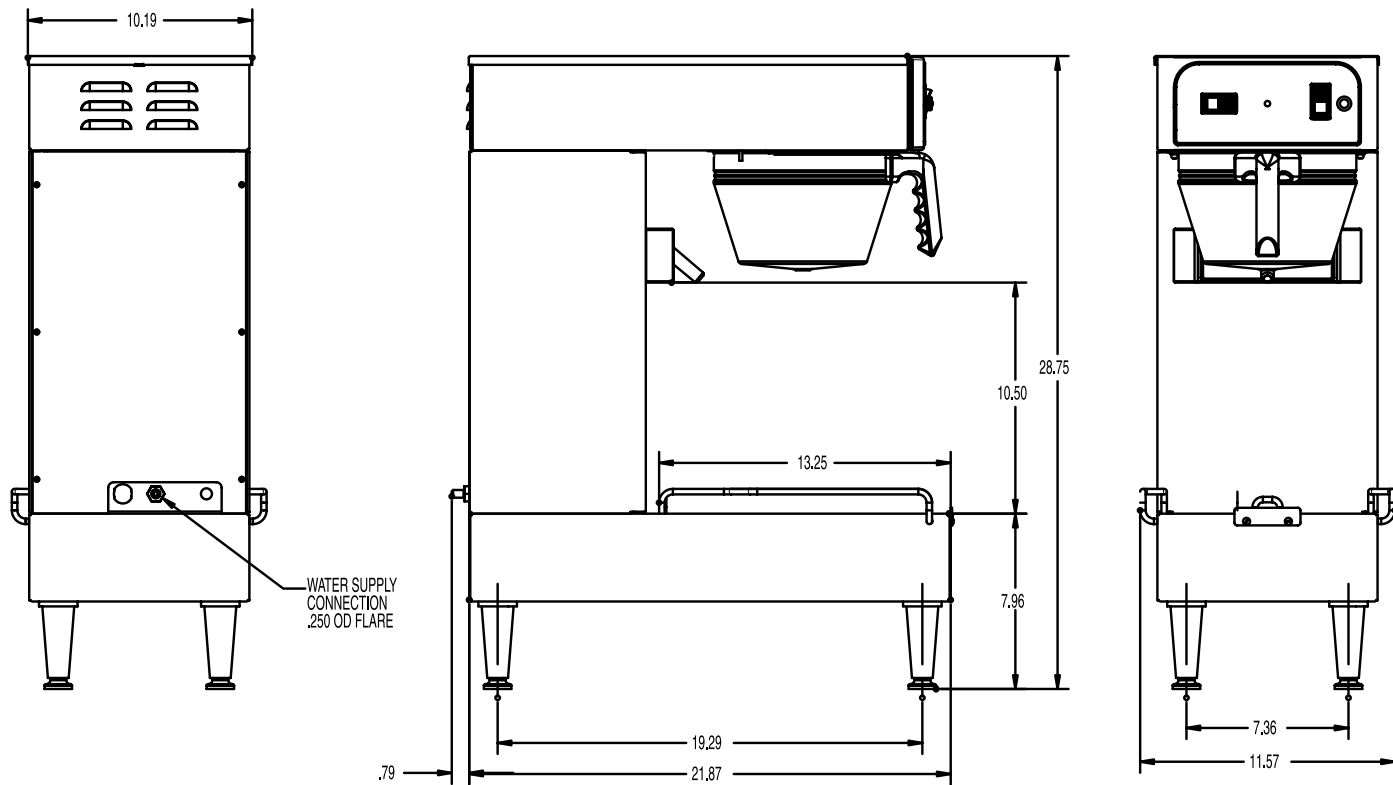
## Dimensions & Specifications

Model	Product #	Volts	Amps	Tank Heater Watts	Total Watts	Brewing Capacity	Cubic Measure	Shipping Weight	Cord Attached
TB3QLP	36700.0100	120	14.8	1680	1780	26.7 gal./hr. (101 L/hr.)	4.15 ft <sup>3</sup> (0.11 m <sup>3</sup> )	43 lbs. (19.5 kg)	Yes*

\*Power cord (NEMA 5-15P) 15 Amp-120V machine only.

Electrical: Models require 2-wires plus ground service rated at 120V, single phase, 60 Hz.

Plumbing: 20-90 psi (138-621 kPa). Machine supplied with 1/4" (6.3 mm) OD male flare fitting.



BUNN Corporation - 1400 Stevenson Drive Springfield, Illinois 62703 • 800-637-8606 • 217-529-6601 • Fax 217-529-6644 • www.bunn.com

BUNN® practices continuous product research and improvement. We reserve the right to change specifications and product design without notice. Such revisions do not entitle the buyer to corresponding changes, improvements, additions or replacements for previously purchased equipment.

All dimensions shown in inches. Bunn Corporation owns all copyrights relating to materials in this publication. Please contact Bunn Corporation to request permission to reproduce any portion of this publication.