



# TRUE FOOD SERVICE EQUIPMENT, INC.

St. Charles Industrial Center • P.O. Box 970 • O'Fallon, Missouri 63366  
(636)240-2400 • FAX (636)272-2408 • (800)325-6152 • www.truemfg.com  
Parts Dept. (800)424-TRUE • Parts Dept. FAX# (636)272-9471

Project Name: \_\_\_\_\_

A/A #

Location: \_\_\_\_\_

Item #: \_\_\_\_\_ Qty: \_\_\_\_\_

SIS #

Model #: \_\_\_\_\_

Model:  
**TCGD-31**

**Display Case:**  
*Curved Glass "Dry" Case*



## TCGD-31

- ▶ True's "dry" display case combines efficient, high volume merchandising with an elegant curved glass front for sophisticated presentation of breads, desserts and pastries.
- ▶ Single pane curved glass front and side panels provide extra large viewing area to maximize bakery product presentation. Front glass tilts forward for easy cleaning.
- ▶ Three (3) adjustable PVC coated shelves.
- ▶ Special "brown bulb" lighting provides balanced color spectrum that enhances the appearance of bakery products.
- ▶ Front and sides standard with white laminated panels, five additional color options available at no charge. Stainless steel top.

### ROUGH-IN DATA

Specifications subject to change without notice.  
Chart dimensions rounded up to the nearest 1/8" (millimeters rounded up to next whole number).

Model	Rear Doors	Capacity (Cu. Ft.) (liters)	Shelves	Cabinet Dimensions (inches) (mm)			Voltage	Amps	Crated Weight (lbs.) (kg)
				L	D†	H			
TCGD-31	2	14.3 405	3	31 <sup>7</sup> / <sub>8</sub> 810	38 <sup>1</sup> / <sub>8</sub> 969	47 <sup>7</sup> / <sub>8</sub> 1217	115/60/1	0.4	N/A

† Depth does not include 1<sup>3</sup>/<sub>8</sub>" (35mm) for rear door handles.



APPROVALS:

Model:  
**TCGD-31**

**Display Case:**  
Curved Glass "Dry" Case



## STANDARD FEATURES

### DESIGN

- True's "dry" display case combines efficient, high volume merchandising with an elegant curved glass front for sophisticated presentation of breads, desserts and pastries.
- Designed to provide an attractive companion to our forced-air refrigerated display case.

### CABINET CONSTRUCTION

- Exterior - white laminate front and side panels. Color options available at no charge:



Walnut | Teak | Oak | Beige | Black | White

- All laminate ships separately from unit and is field installed. Stainless steel top.
- Interior - NSF approved white aluminum sides and top, coved corners and high impact plastic floor with coved corners.
- Welded, heavy duty galvanized frame rail dipped in rust inhibiting enamel paint for corrosion protection inside and out.

### CURVED FRONT DISPLAY GLASS

- Single pane curved glass front and side panels provide extra large viewing area to maximize bakery product presentation. Glass is tempered for safety.
- Each door fitted with 12" (305 mm) long molded plastic handle.
- Front glass tilts forward for easy cleaning.

### REAR DOORS

- "Low-E", double pane thermal glass door assembly with extruded aluminum frame. The latest in energy technology.
- Each door fitted with 15" (381 mm) extruded handle.
- Self-closing doors. Positive seal, torsion type closing system.
- Magnetic door gasket of one piece construction, removable with out tools for ease of cleaning.

### SHELVING

- Three (3) adjustable, heavy duty PVC coated wire shelves 24<sup>3</sup>/<sub>8</sub>" L x 22<sup>5</sup>/<sub>32</sub>" D (620 mm x 563 mm). Shelving system is cantilevered and angle can be adjusted to maximize presentation.
- Shelf supports a maximum weight of 150 lbs. (69 kg).

### PAN CAPACITY

- Cabinet holds four (4) 18" L x 26" D (458 mm x 661 mm) display pans (1 per level) and four (4) 9" L x 26" D (229 mm x 661 mm) display pans (1 per level). Pans supplied by others.

### LIGHTING

- Cabinet is equipped with two (2) light sources for maximum product display; one (1) shelf mounted and one (1) cabinet mounted. Special "brown bulb" lighting provides balanced color spectrum that enhances the appearance of bakery products.
- Safety shielded lighting tube assure longer, brighter, shadow-free product illumination.

### MODEL FEATURES

- Recessed exterior light switch.
- NSF-2 product for open food product.

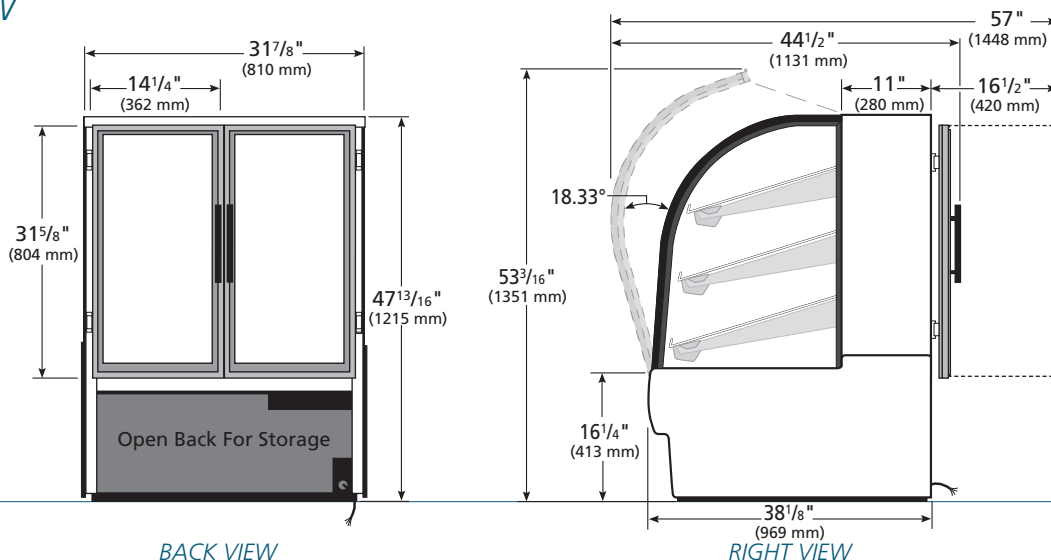
### ELECTRICAL

- Unit comes with 4 feed wires (including ground) to be hardwired at installation site to a 115/60/1 phase-15 amp dedicated outlet.

### OPTIONAL FEATURES/ACCESSORIES

- Upcharge and lead times may apply.
- 12" (305 mm) cord set (factory installed).
- 6" (153 mm) standard legs.
- 6" (153 mm) seismic/flanged legs.
- 2<sup>1</sup>/<sub>2</sub>" (64 mm) diameter castors (available only when 12" (305 mm) cord set is ordered).
- Custom exterior laminates, contact factory for details. See our website: [www.truemfg.com](http://www.truemfg.com) for the latest color offerings.
- Additional shelves (non-lighted).
- Additional non-lighted shelves.

## PLAN VIEW



### WARRANTY

One year warranty on all parts & labor.

METRIC DIMENSIONS ROUNDED UP TO THE NEAREST WHOLE MILLIMETER

SPECIFICATIONS SUBJECT TO CHANGE WITHOUT NOTICE



Model	Elevation	Right	Plan	3D	Back
TCGD-31					

## TRUE FOOD SERVICE EQUIPMENT

St. Charles Industrial Center • P.O. Box 970 • O'Fallon, Missouri 63366 • (636)240-2400 • FAX (636)272-2408 • (800)325-6152 • [www.truemfg.com](http://www.truemfg.com)