

EF SERIES ELECTRIC FRYERS

These counter top electrical deep fryers are ideal for small to medium applications. The body is made of stainless steel to allow easy cleaning. Equipped with a limit switch to prevent overheating. The fryers are designed with a thermostat, which controls the temperature between the ranges of 60°-200°C / 140°-392°F.



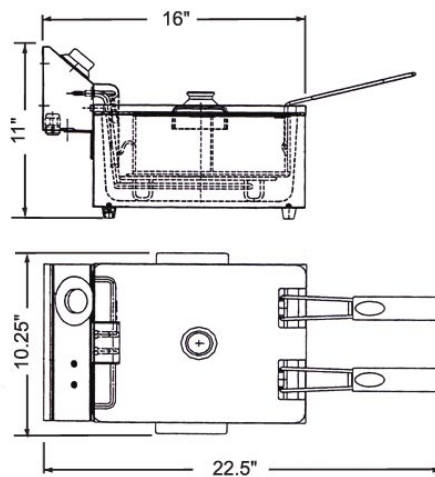
TDEF-6LX1A



TDEF-6LX2A

Model	TDEF-6LX1A	TDEF-6LX2A
Power (KW)	1.6	1.6 + 1.6
Volume of Oil	6L	6L + 6L
Adjustable Temperature	60°-200°C 140°-392°F.	60°-200°C 140°-392°F.
Basket Dimensions (LWH)	9.25" x 4" x 4"	9.25" x 4" x 4"
Electrical	110V/60/1	110V/60/1
Weight	15 lbs.	30 lbs.

TDEF-6LX1A



TDEF-6LX2A

