



ITEM #: _____ QTY: _____
 MODEL #: _____
 PROJECT NAME: _____

3601 S. Banker St. Effingham, IL 62401 • P.O. BOX 609 • Ph: (888) 431-2667 • Fax: (800) 433-2667

UNDERBAR ICE BINS 

FEATURES:

- INSULATED ICE BIN 12" DEEP, WITH DRAIN
- GALVANIZED LEGS AND BRACING, WITH ADJUSTABLE BULLET FEET
- ICE BIN LID INCLUDED

MATERIAL:

- TOP: 18GA 300 SERIES STAINLESS STEEL
- BRACING: GALVANIZED
- LEGS: GALVANIZED
- GUSSETS: GALVANIZED
- FEET: PLASTIC

CONSTRUCTION:

- TOP: STAINLESS STEEL TOPS ARE TIG WELDED, EXPOSED WELDS ARE POLISHED TO MATCH ADJACENT SURFACE.



UNDERBAR ICE BINS

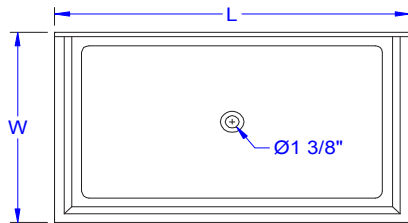
MODEL #	QTY
EUBIB-12-2421	
EUBIB-12-3021	
EUBIB-12-3621	
EUBIB-12-4821	

OPTIONAL ACCESSORIES

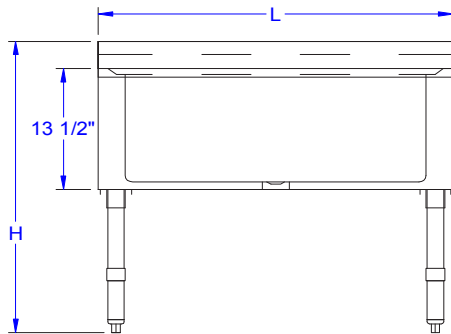
MODEL #	QTY
SPEED RAILS	
ICE BIN LIDS	
STAINLESS STEEL LEGS	

UNDERBAR ICE BINS DETAILED SPECIFICATIONS

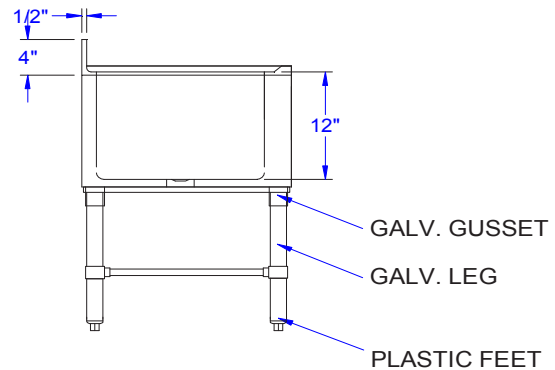
PLAN VIEW



FRONT ELEVATION



SIDE VIEW



UNDERBAR ICE BINS

MODEL #	LENGTH	WIDTH	HEIGHT	WT. (LBS)
EUBIB-12-2421	24"	21"	30"	71
EUBIB-12-3021	30"	21"	30"	79
EUBIB-12-3621	36"	21"	30"	93
EUBIB-12-4821	48"	21"	30"	121

WEIGHTS ARE SUBJECT TO ADDITIONAL PACKAGING

SOME UNITS SHIP UNASSEMBLED FOR REDUCED SHIPPING COST. ALL DIMENSIONS ARE TYPICAL. TOLERANCE +/- .500"
John Boos & Co. is constantly engaged in a program of improving products and therefore reserves the right to change specifications without prior notice.