

BUNN®

Pourover Coffee Brewer with 3 Warmers

ITEM# _____

PROJECT _____

DATE _____

Features

Low Profile Pourover Coffee Brewer

- Brews 3.8 gallons (14.4 liters) of perfect coffee per hour.
- Pourover brewer requires no plumbing – completely portable.
- Stainless steel or black decor.
- Three separately controlled warmers.
- SplashGard® funnel deflects hot liquids away from the hand.
- International electrical configurations available.



Model VP17-3*

(decanters not included)

Dimensions: 18.9" H x 8.5" W x 17.7" D
(48cm H x 21.6cm W x 45cm D)



Model VP17-3*

(decanters not included)

Dimensions: 17.8" H x 16.4" W x 17.7" D
(45.2cm H x 41.7cm W x 45cm D)

For current specification sheets and other information, go to www.bunn.com.

* International models may vary in appearance.

Related Products

Paper Filter Pack

Product No. : 20115.0000

Packed per case: 1,000

Dimensions: 4 1/4" Base x 2 3/4" Sidewall
10.8 cm Base x 6.98 cm Sidewall



WX1-warmer

Product No. : 06450.0004

One position warmer



WX2-warmer

Product No. : 06310.0004

Two position warmer



Easy Pour® black decanter

Product No. : 06100.0101

Quantity: 1 (also packaged in quantities of 2, 3, 6, 12, & 24)



Easy Pour® orange decanter (for decaf)

Product No. : 06101.0101

Quantity: 1 (also packaged in quantities of 2, 3, 6, 12, & 24)



Model	Agency Listing	International Model	Agency Listing
VP17-3 SST	UL NSF	VP17A-3	CE SASO
VP17-3 BLK	UL NSF		

Patents Apply

10/04

A5.5

Dimensions & Specifications

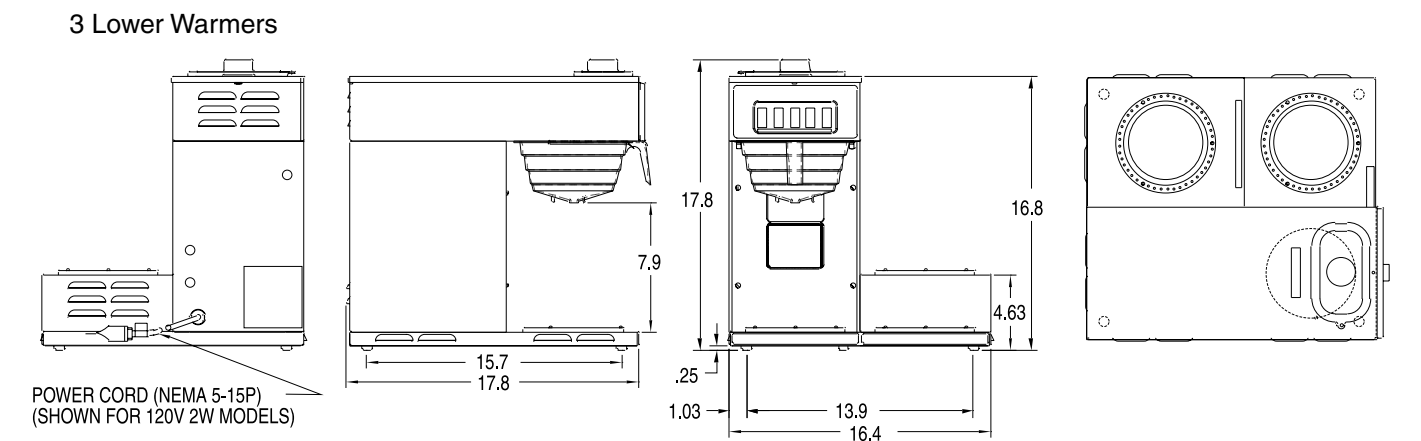
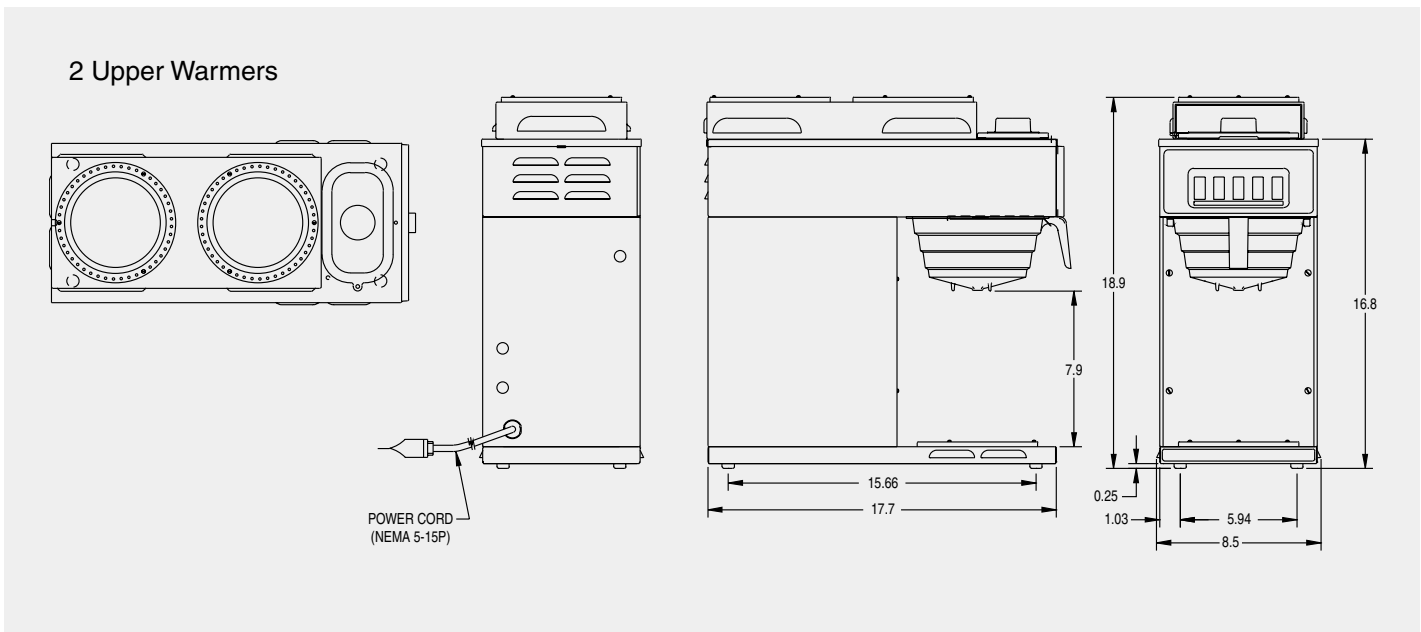
Model	Product #	Volts	Amps	Tank Heater Watts	Total Watts	Brewing Capacity	Cu. Ft.	Shipping Weight	Cord Attached
VP17-3 SS (3 lower)	13300.0003	120	13.3	1320	1600	3.8 gal./hr.	6.4	29 lbs. (13.2 kg)	Yes*
VP17-3 BLK (3 lower)	13300.0013	120	13.3	1320	1600	3.8 gal./hr.	6.4	32 lbs. (14.5 kg)	Yes*
VP17-3 SS (2 upper)	13300.0004	120	13.3	1320	1600	3.8 gal./hr.	4.7	25 lbs. (11.4 kg)	Yes*

*Power cord (NEMA 5-15P) 15 amp 120 V machine only.

Brewing capacity: based upon incoming water temp of 60°F (140°F rise) per 1/2 gallon brew time of 4 minutes.

Electrical: Models require 2-wires plus ground service rated 120V, single phase, 60 Hz.

Plumbing: No plumbing needed.



BUNN Corporation - 1400 Stevenson Drive Springfield, Illinois 62703 • 800-637-8606 • 217-529-6601 • Fax 217-529-6644 • www.bunn.com

BUNN® practices continuous product research and improvement. We reserve the right to change specifications and product design without notice. Such revisions do not entitle the buyer to corresponding changes, improvements, additions or replacements for previously purchased equipment.

All dimensions shown in inches. Bunn Corporation owns all copyrights relating to materials in this publication. Please contact Bunn Corporation to request permission to reproduce any portion of this publication.