



Project:	_____
Location:	_____
Item #:	_____
Quantity:	_____

Salad/Sandwich Refrigerators

Three Section Model with Doors **VUR-72-12**
 Doors, tops and interior floor of stainless steel. **VUR-72-18**
 Aluminum ends and interior.



Standard Features:

- Stainless Steel Doors, Tops and Interior Bottom Construction Provides Durable Lasting Finish
- Durable Aluminum Interior Sides and Rear for Easy Cleaning
- Models are Front-Breathing and Recessible to Enable Zero Clearance Placement or in Limited Access Areas
- Food Pans are Recessed into an Insulated 2" Top which Surrounds Pans With an Insulated Airflow to Maintain Consistent Temperature
- Holds Food Safely and Assures Fresher Food
- Exclusive Design Accepts 4" and 6" Pans which Maximize Airflow and Maintain Temperature
- A Complete Set of 4" Deep Plastic Pans are Included
- Interior Thermometer Consistently Monitors Temperature
- Spacious Design With 10" Cutting Board Provides Maximum Work Surface
- Removable Stainless Steel Insulated Telescoping Lid Offers Easy Cleaning
- Self-Closing Door With Replaceable One-Piece Magnetic Gasket Maintains Positive Seal
- Horizontal Recessed Heavy-Duty Handles Provide Quicker, Easier Access to Cabinets
- Adjustable Shelves Provide Storage Flexibility
- Heavy-Duty, Epoxy Coated Steel Shelves Accept Heavy Loads and Offer Easy Clean-up
- Energy Saving, High Density, Polyurethane Foam Insulation Promotes Cold Retention
- Anti-Corrosion Coated Evaporator Coil Assures Lasting Performance
- Automatic Condensation Evaporation System Eliminates the Need for a Floor Drain
- Balanced Energy Efficient Refrigeration System
- Environmentally Friendly R-134a Refrigerant
- Plugs into Standard 115 V Outlets - Cord and Plug Attached for Easy Installation
- 5" Heavy-Duty Swivel Casters with Brakes Provide Mobility
- Completely Finished and Enclosed Cabinet Back
- Meets Tough NSF Standard 7, 41° F

Optional Features and Accessories:

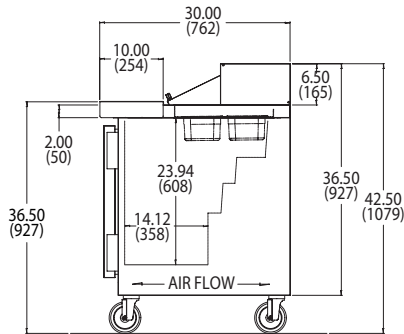
- 3" Heavy-Duty Swivel Casters with Brakes
- 6" Adjustable Stainless Steel Legs
- Single and Double Overshelf
- Stainless Steel Back Door Mounted Dial Thermometer
- Cylinder Locks

Approvals:	 	Victory Refrigeration specification sheets are available online at www.victory-refrig.com .
------------	-------------------------------------------------------------------------------------------------------------------------------------------------------------------------	-----------------------------------------------------------------------------------------------------------------------------------------

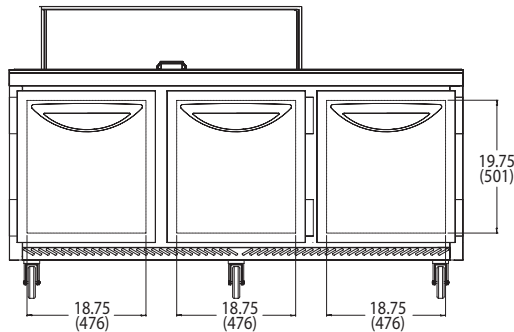
CHARACTERISTICS	VUR-72-12	VUR-72-18
Width, Overall	72	72
Depth, Overall	30	30
Height, Overall	42 1/2	42 1/2
Height, Work Area	36	36
Capacity Net (cubic feet)	19.4	19.4
No. of Full Doors	3	3
No. of Shelves	6	6
No of 1/2 Size Pans	12	18
Cabinet Voltage	115/60/1	115/60/1
Condensing Unit Voltage	115/60/1	115/60/1
Condensing Unit Size (HP)	1/3	1/3
Total Amperes	8.8	8.8
NEMA Receptacle Required	5-15R	5-15R

Crated dim. & wts.	Ht.	Width	Depth	Lbs.
VUR-72-12	48 1/2	77 1/2	39 1/2	440
VUR-72-18	48 1/2	77 1/2	39 1/2	450

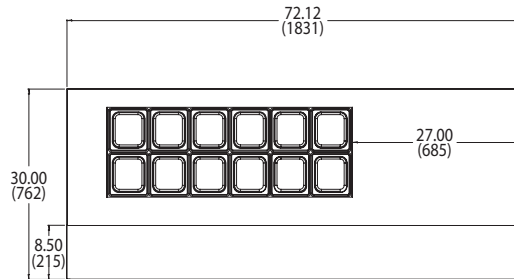
Dimensional tolerance ± 1/4" Metric dimensions (MM)



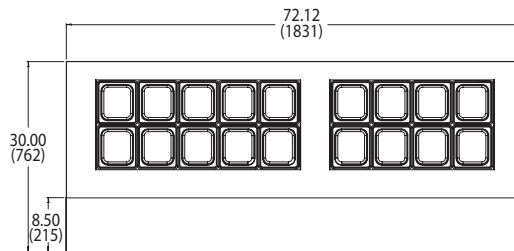
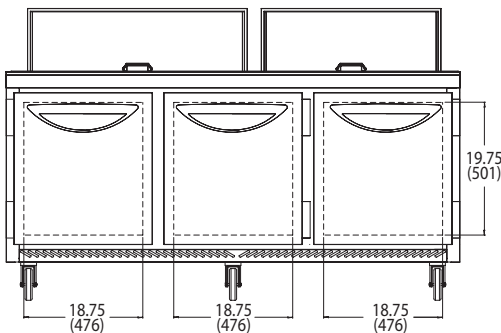
VUR-72-12, VUR-72-18 SIDE VIEW



VUR-72-12 FRONT VIEW



VUR-72-12 TOP VIEW



We reserve the right to change specifications and product design without notice. Such revisions do not entitle the buyer to corresponding changes, improvements, additions or replacements for previously purchased equipment.

Continuous product development may necessitate specification changes and design without notice.



Victory participates in the KCL CADalog, the most current source of CAD symbols for foodservice designers worldwide. Symbols include standard equipment in plan, side, front and 3-D views, layered for FEDTA/FCSI recommended guidelines.