

WARING® COMMERCIAL PANINI GRILLS



Commercial 14" x 14" Toasting Grill

WFG275 and WFG275T

Features

- 14" x 14" flat cast-iron cooking surface
- Brushed stainless steel body and removable drip tray
- Hinged, autobalancing top plate to suit food up to 3" thick
- Adjustable thermostat to 570°F
- Power and Ready indicator lights
- Heat-resistant handles
- 120V/1800W
- Programmable timer version available
- Limited One Year Warranty

Programmable Countdown Timer Version



WFG275T



Large, Easy-to-Read LCD Display

- Improve time management
- Reduce amount of overcooked food
- 2 replaceable AAA batteries included



WFG275





Commercial Panini Grills WFG275 and WFG275T

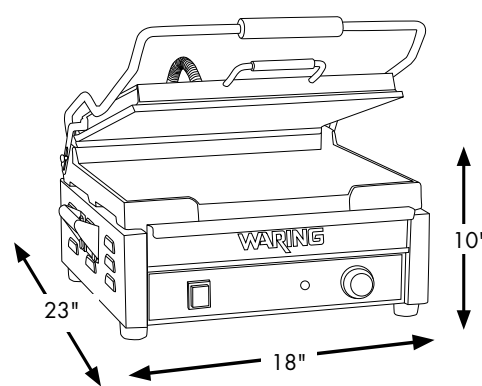


Specifications

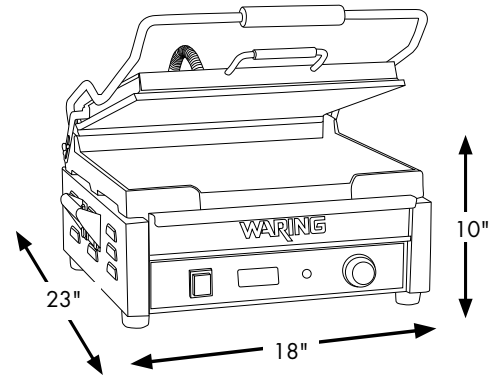
| Item | Electrical | Listings | Dimensions (H" x W" x D") | Warranty |
|---------|---------------|----------|------------------------------|----------------|
| WFG275 | 120 Volt, 15A | UL, NSF | 13.75" x 20.125" x 25" | Limited 1 Year |
| WFG275T | 120 Volt, 15A | UL, NSF | 13.75" x 20.125" x 25" | Limited 1 Year |

Ordering Information

| Description | Catalog # | Std Pkg. | Ship Wt. (lbs.) | Cubic Feet | UPC Code |
|---|-----------|----------|--------------------|------------|--------------|
| Tostato Supremo® Large Panini Grill | WFG275 | 1 | 82.6 lbs. | 4.0 | 040072023484 |
| Tostato Supremo® Large Panini Grill (Timer Version) | WFG275T | 1 | 82.6 lbs. | 4.0 | 040072024559 |
| Heavy-Duty Grill Brush | CAC105 | 1 | .285 lbs. | .032 | 040072016349 |



WFG275



WFG275T

©2013 Waring Commercial
 Waring Commercial • 314 Ella T. Grasso Ave. • Torrington, CT 06790
 Tel. (800) 492-7464 • Fax (860) 496-9008
www.waringcommercialproducts.com

13WC138691 PG-31108

[@WaringProducts1](https://twitter.com/WaringProducts1)

