



T-304 5" Riser Tables

Stainless Steel Riser Tables



Use your smart phone to scan the above QR code to visit our website:
www.bk-resources.com

Certifications:



Features:

- Two (2) Sound Deadened Integrally Welded 5" "C" Channels to Reinforce and Maintain Level Working Surface
- Legs 1 5/8" Diameter
- 5" Riser
- 96" Tables Have 6 Legs

Options:

- Single & Double Overshelves
- Drawer Assemblies
- Casters
- Upgraded Bullet Feet
- Extra Shelves
- Adjustable Table Mount Pot Rack



Material:

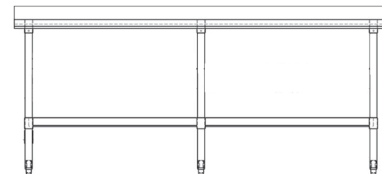
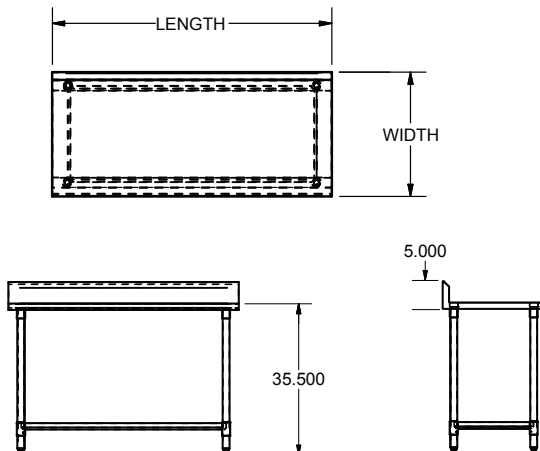
WSTR5 Series: S/S w/ Stainless Steel Legs & Undershelf

- T-304 18 ga. Stainless Steel Top
- Stainless Steel Legs & Adjustable Undershelf
- Adjustable High Impact Corrosion Resistant Feet

WTTR5 Series: S/S w/ Galvanized Legs & Undershelf

- T-304 18 ga. Stainless Steel Top
- Galvanized Legs & Adjustable Undershelf
- Adjustable High Impact Corrosion Resistant Feet

WSTR5 Series S/S w/ S/S Legs & Undershelf		WTTR5 Series S/S w/ Galv. Legs & Undershelf	
Length	T-304 S/S 30" Width	Length	T-304 S/S 30" Width
36"	WSTR5-3630	36"	WTTR5-3630
48"	WSTR5-4830	48"	WTTR5-4830
60"	WSTR5-6030	60"	WTTR5-6030
72"	WSTR5-7230	72"	WTTR5-7230
96"	WSTR5-9630	96"	WTTR5-9630



TABLES 7 FT. AND LARGER ARE FURNISHED WITH SIX (6) LEGS

PRODUCT DATA SHEET

BK RESOURCES

